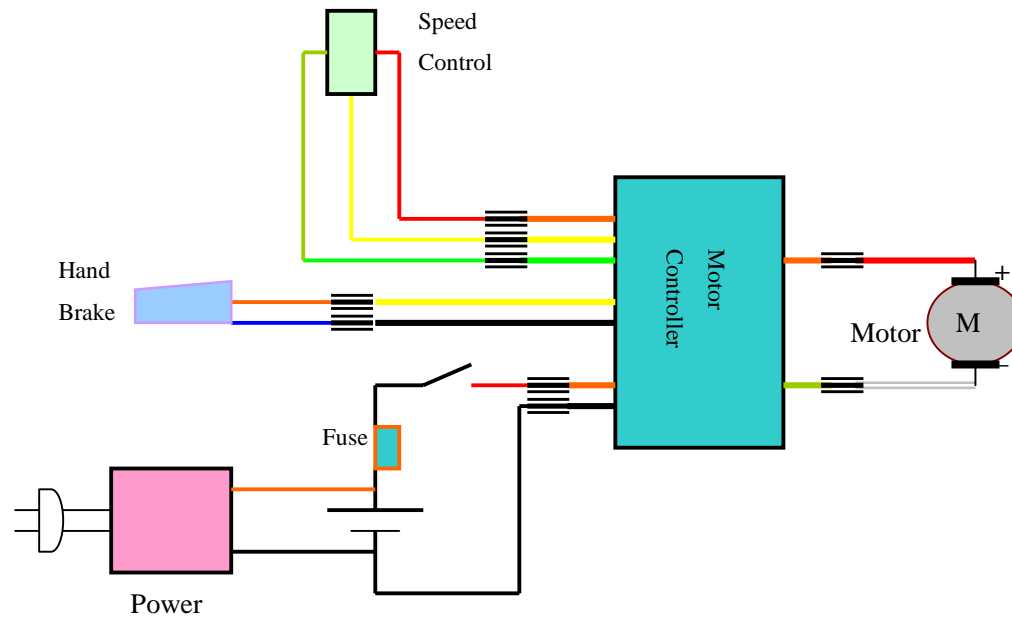


## Motor Control Kit Diagram



### Main Features:

- ❖ Complete Speed Control Set: Twistgrip speed controller, hand brake, motor controller
- ❖ Soft-start: make start-up smoothly
- ❖ Excessive Current Protection: 11A(36V DC), 14A(24V DC)
- ❖ Low voltage Protection: 31V (36V DC), 20.5V (24V DC)

Golden Island Machinery Ltd, China

Web Site: [www.goldenmotor.com](http://www.goldenmotor.com)

Contact: [sales@goldenmotor.com](mailto:sales@goldenmotor.com)