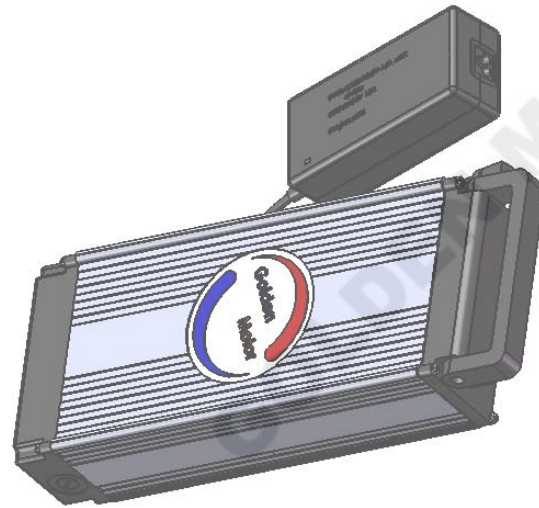
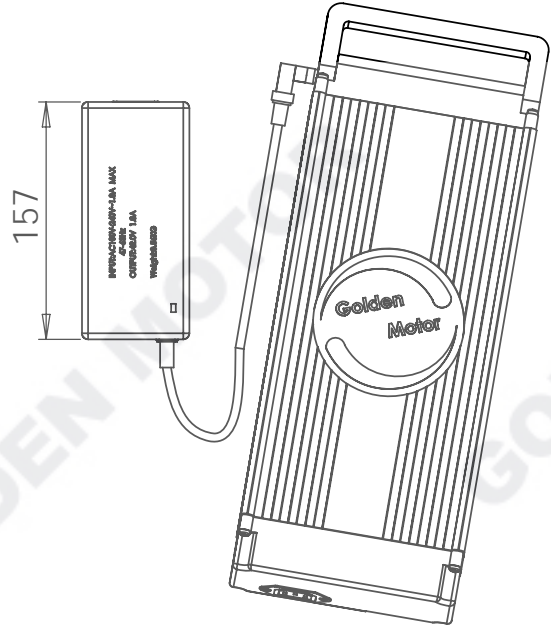


Weight:5.65KG

REL#:	BY: TOM	DATE: 15/01/09
USED ON:	E-Bicycle	
SCALE: NONE	GOLDEN MOTOR	DRWN BY: TOM
SHEET: 1 OF 1		CHKD BY: TOM
TITLE:	Battery Lithium 36V/10AH	
MATRL:	PART NO.:	



Battery Weight:5.65KG
 Charger Weight:0.56KG

REL#:	BY: TOM	DATE: 15/01/09
USED ON:	E-Bicycle	
SCALE: NONE	GOLDEN MOTOR	DRWN BY: TOM
SHEET: 1 OF 1		CHKD BY: TOM
TITLE:	Battery Lithium 36V/10AH	
MATRL:	PART NO.:	