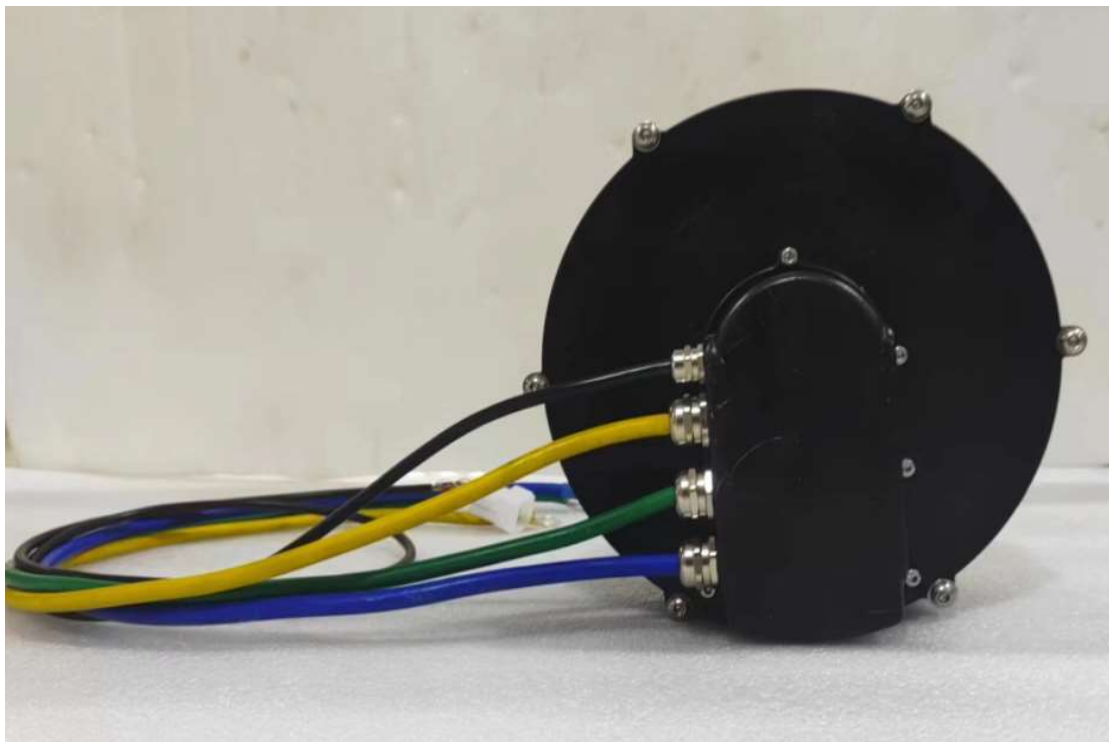
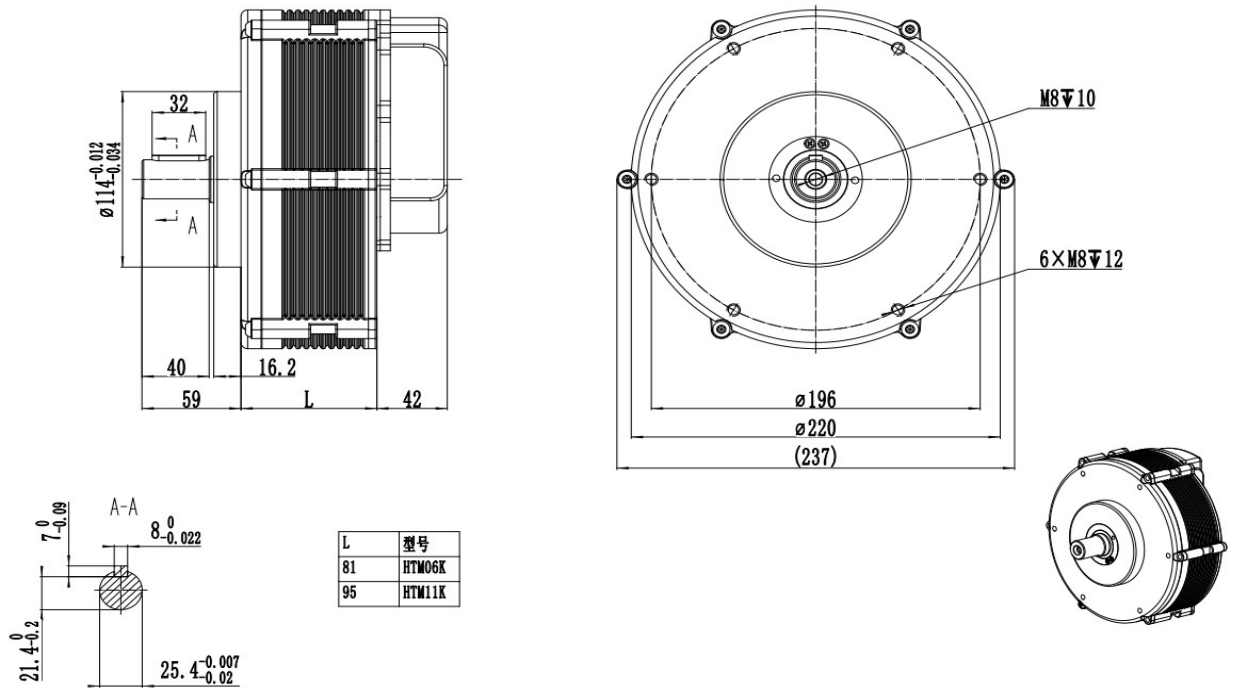


Golden Motor High Torque Axial Flux Motor (72V, 11KW, 170Nm)

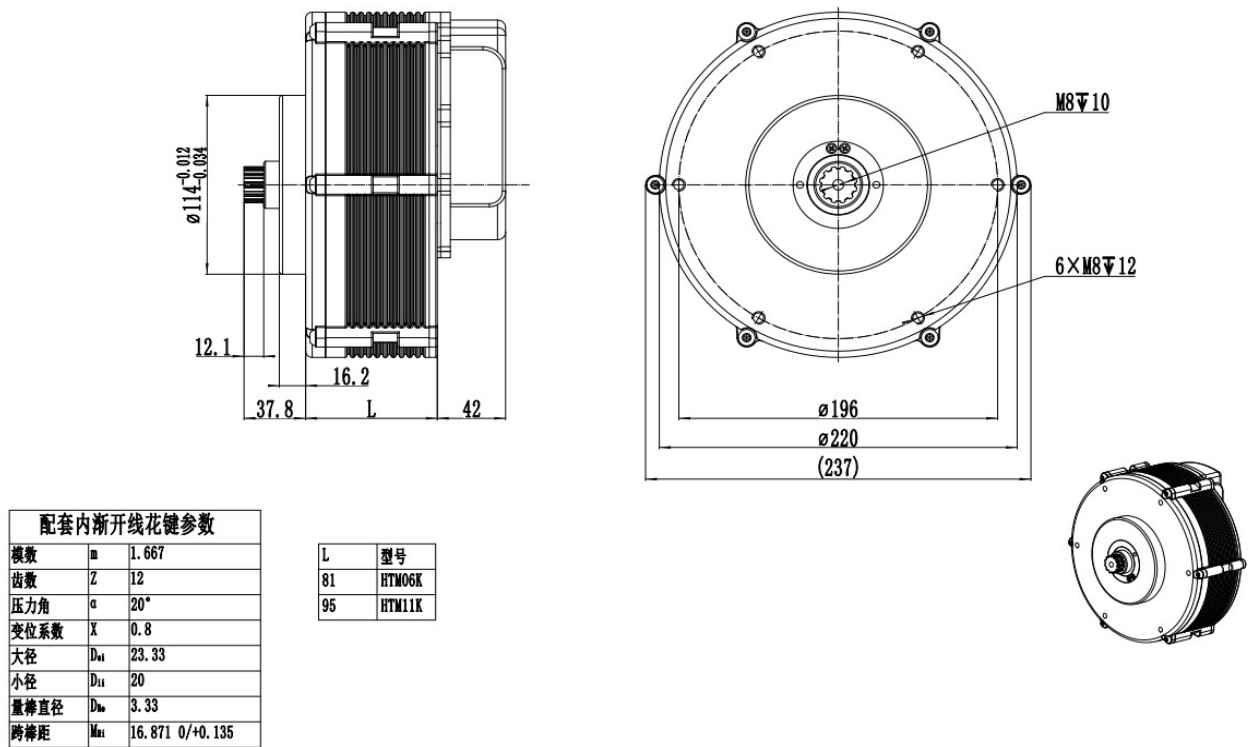
HyperTorque BLDC Motor Series: HTM11KW



Motor Dimensions:



Standard Motor Shaft (key slot)



Splined Shaft

Motor Specifications:

	HTM07K	HTM11K
额定功率(kW) Rated Power(kW)	6	11
电压(V) Voltage(V)	72	72
额定电流(A) Rated Current(A)	92	170
最大相电流(A) Max. Phase Current(A)	400	800
最大电流持续时间(s) Max. Current Duration(s)	30	30
额定转速 (rpm) Rated Speed(rpm)	1950	2500
最高转速 (rpm) Max Speed(rpm)	3600	4000
额定扭矩 (N.m) Rated Torque(N.m)	25	40
峰值扭矩 (N.m) Peak Torque(N.m)	120	170
间相电阻 (mΩ) Interphase Resistance(mΩ)	18.6	6.7
传感器类型 Sensor type	磁编 Magnetic Encoder	磁编 Magnetic Encoder
极对数量 Number of Pole-Pairs	5	5
绝缘等级 Insulation Grade	H	H
保护级别 IP Rating	IP66	IP66
冷却类型 Cooling Type	自然冷却 Natural cooling	自然冷却 Natural cooling
净重 (kg) Net Weight(kg)	14.6	17.4
包装尺寸 (mm) Package Size(mm)		