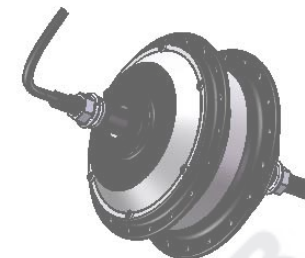
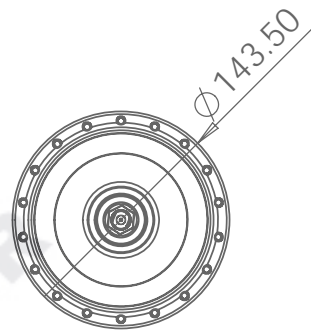
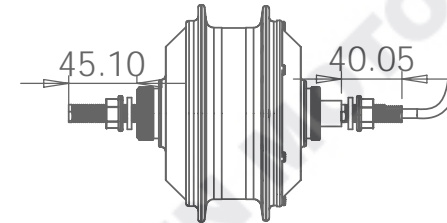
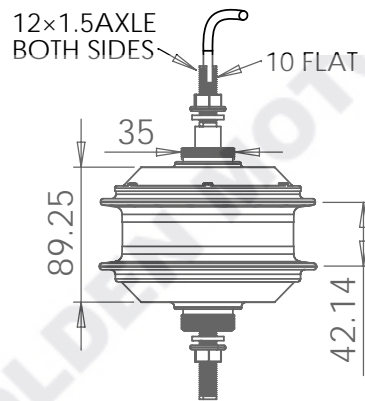


MOTOR	Motor Type:	VDC, Brushless, Spoke
	Max. Efficiency Voltage:	
	Continuous Duty Watts:	
	Continuous Duty Amps:	
	Motor Leads:	



NOTE:
1. ALL DIMENSIONS NOT SHOWN ARE THAT THE MANUFACTURER'S DISCRETION.
2. ANY CHANGES MADE IN MATERIAL OR DIMENSIONS MUST BE APPROVED BY GOLDENMOTOR.

REL#:	BY: TOM	DATE: 24/10/08
USED ON:	ELECTRIC BICYCLE	
SCALE: NONE	GOLDEN MOTOR	DRWN BY: TOM
SHEET: 1 OF 1		CHKD BY: TOM
TITLE:	REAR MOTOR	
MATRL:	PART NO.:	